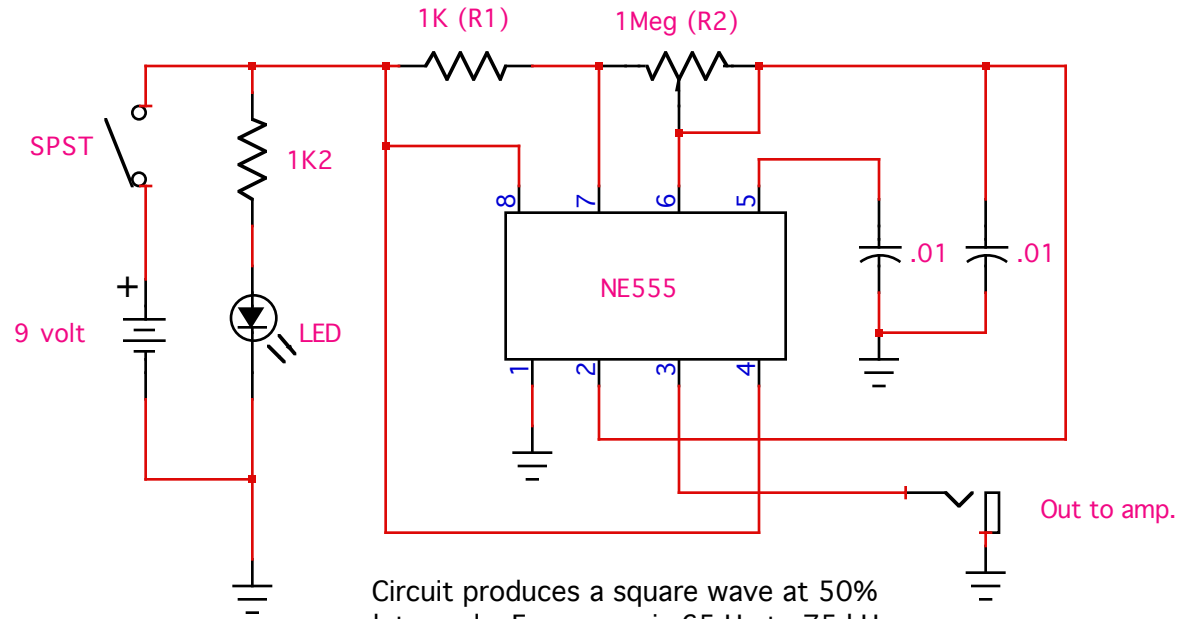


Square Wave Generator



Circuit produces a square wave at 50% duty cycle. Frequency is 65 Hz to 75 kHz.