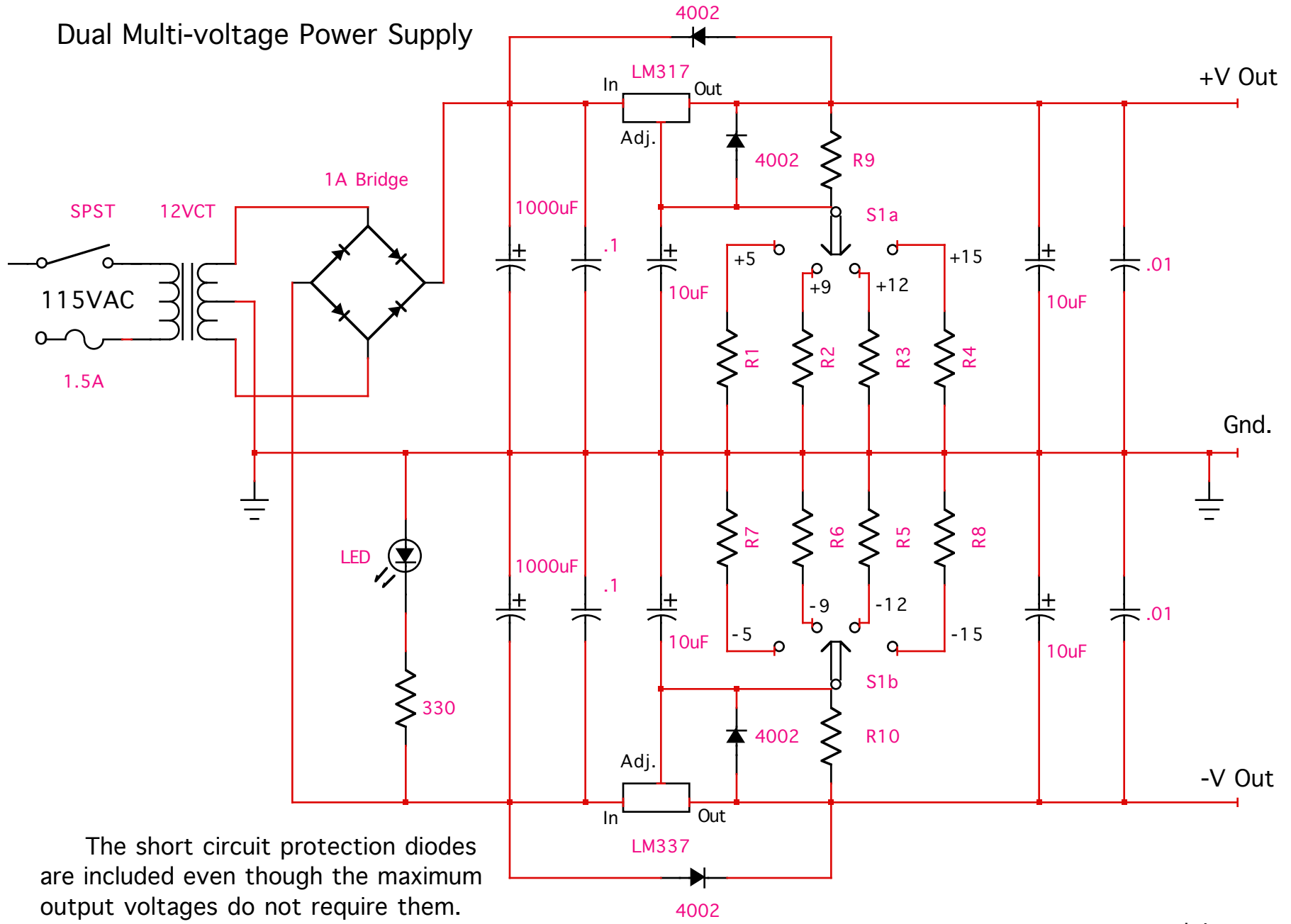


Dual Multi-voltage Power Supply



The short circuit protection diodes are included even though the maximum output voltages do not require them.