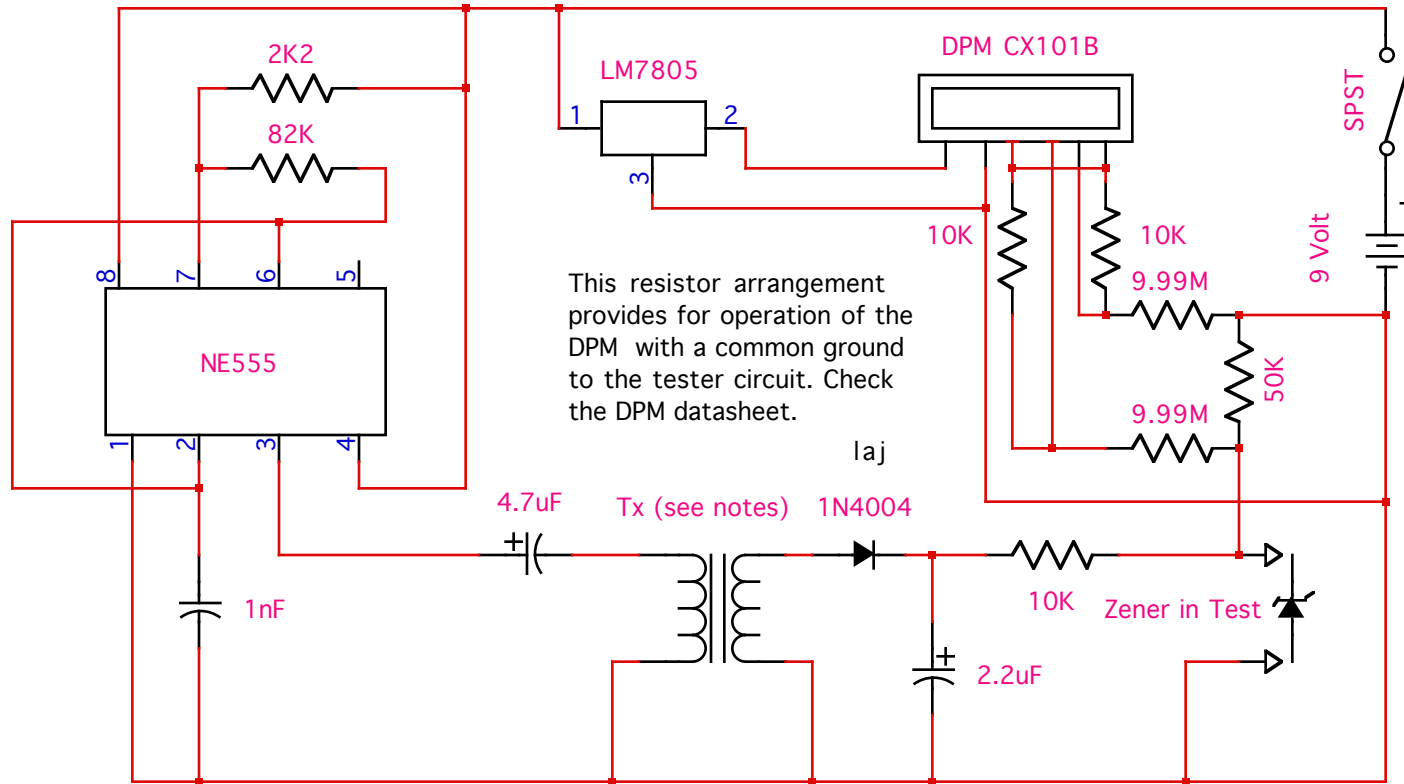


# Zener Diode Tester



This resistor arrangement provides for operation of the DPM with a common ground to the tester circuit. Check the DPM datasheet.

laj

Notes: Tx is a 9 volt wall transformer wired in reverse. The secondary is connected to the output from the NE555 timer receiving an approximate 2KHz square wave through the 4.7uF capacitor. The primary then becomes the output of the transformer. Input is 9 v and output is 40 volts.

The display is a digital panel meter wired for the 200 volt range with the 9.99M and the 10K scaling resistors. Other meters may be wired differently.

laj