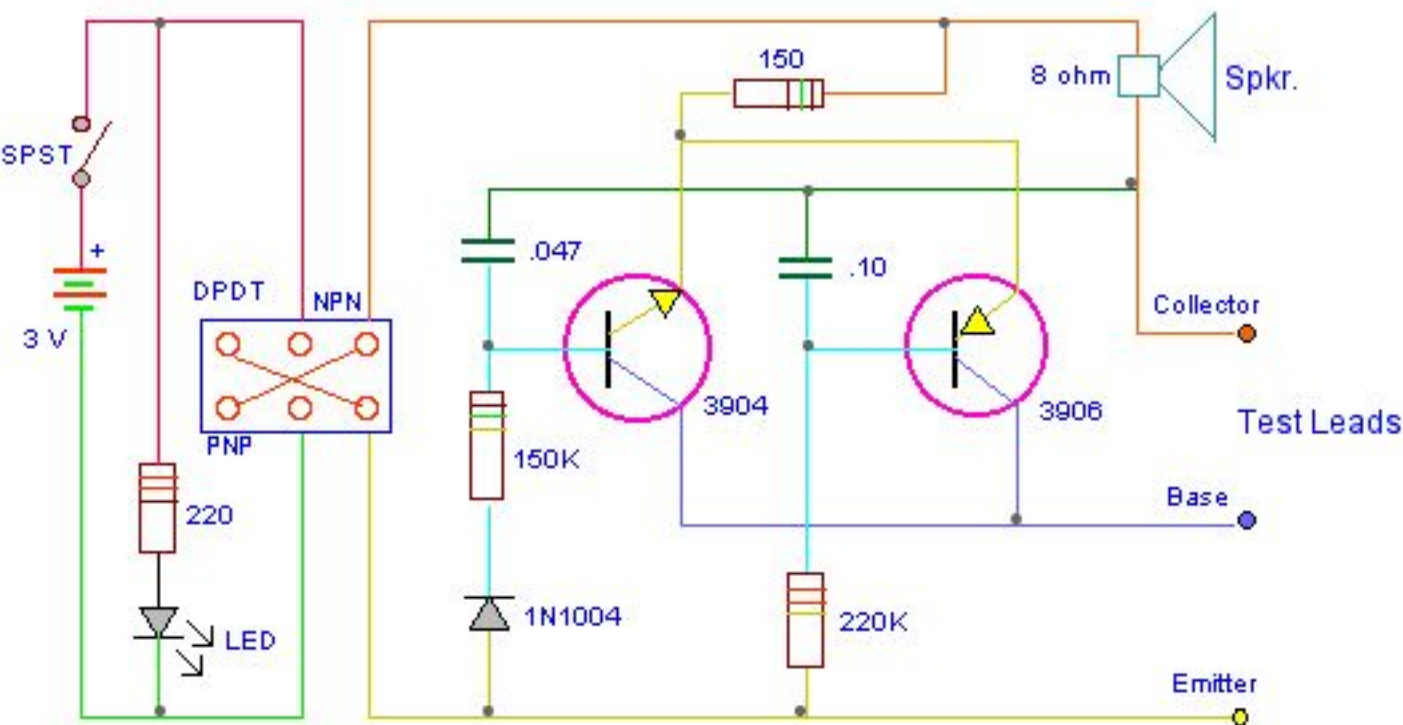


# Transistor Tester



DPDT Switch selects NPN or PNP.  
Tone sounds if Transistor is good.

Drawn with Mac Works by laj.