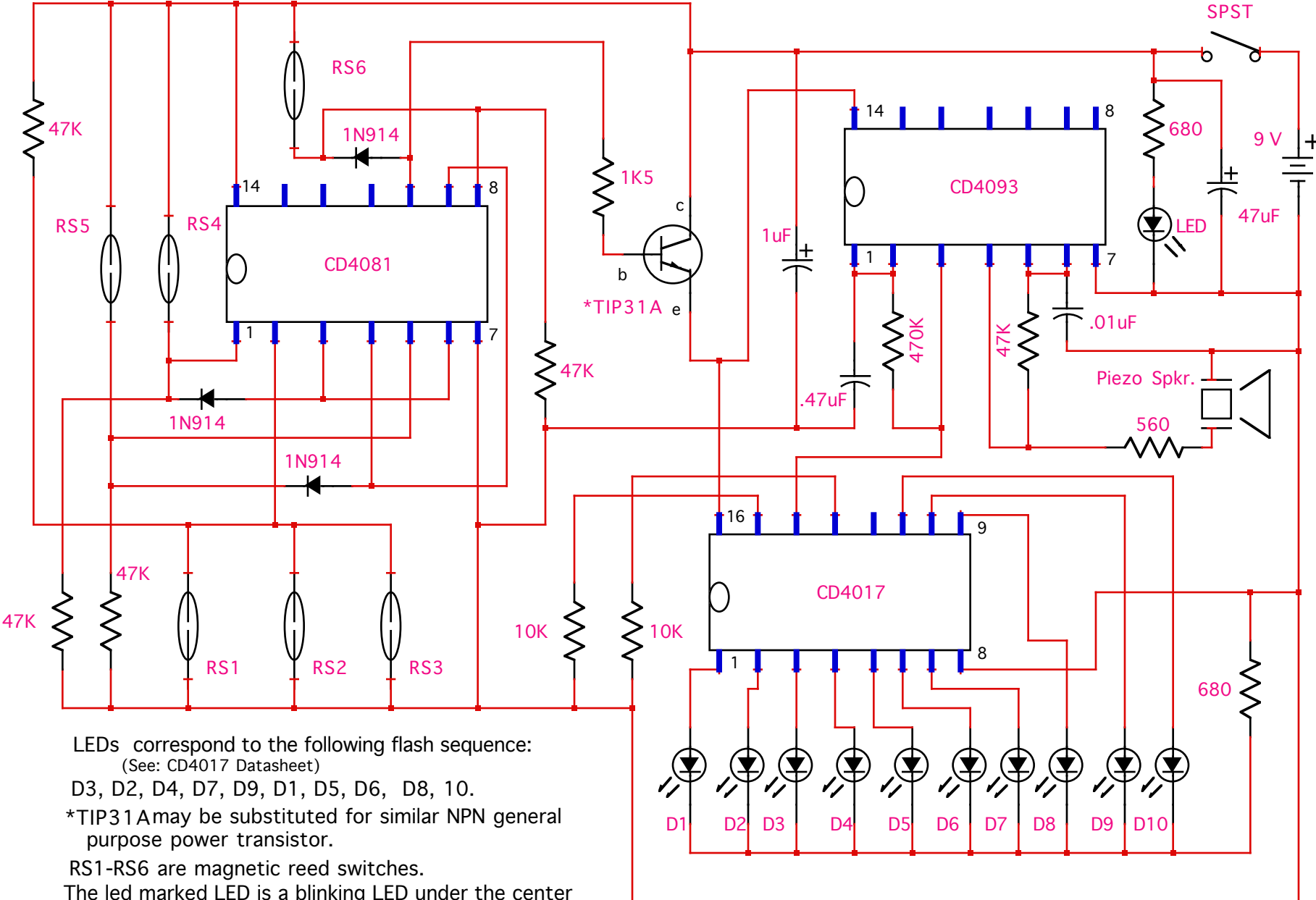


Magic Conjuring Board



LEDs correspond to the following flash sequence:
 (See: CD4017 Datasheet)
 D3, D2, D4, D7, D9, D1, D5, D6, D8, 10.
 *TIP31A may be substituted for similar NPN general purpose power transistor.
 RS1-RS6 are magnetic reed switches.
 The led marked LED is a blinking LED under the center button on the conjuring board .