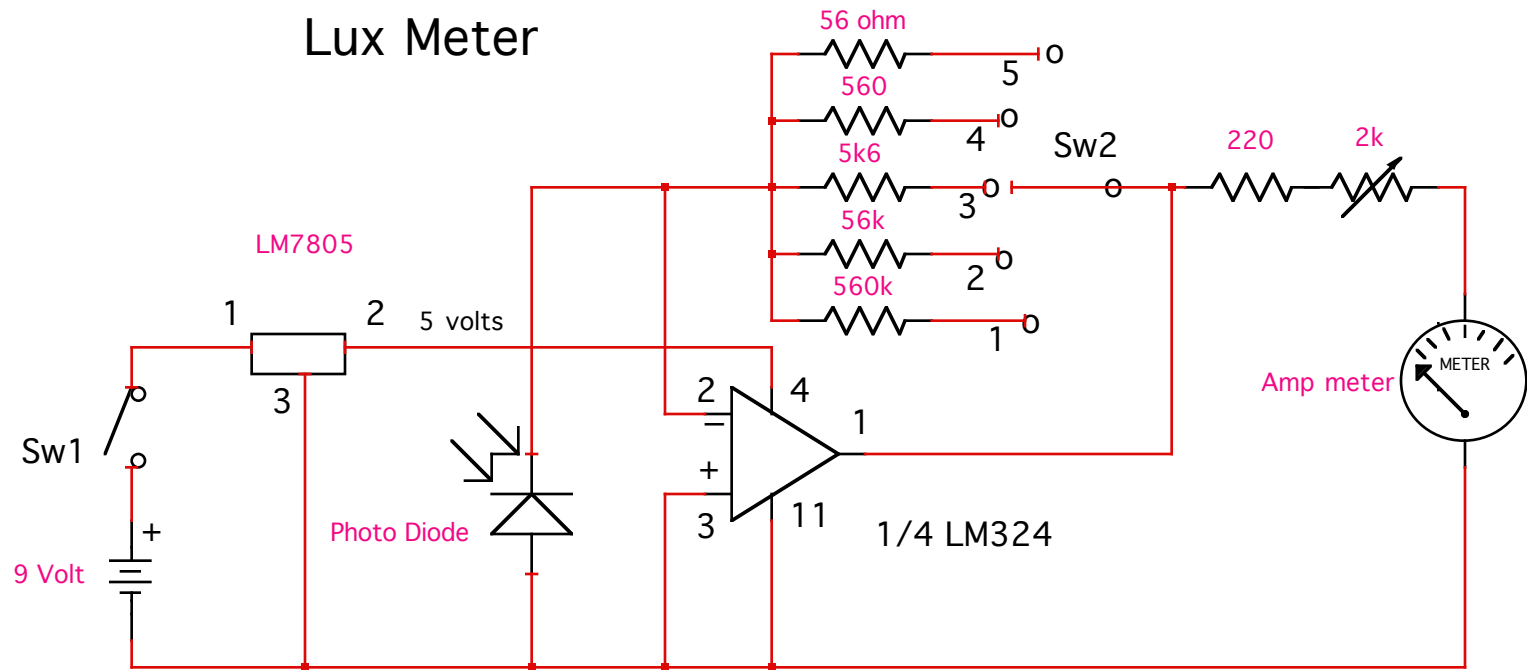


Lux Meter



Parts:

LM7805 Voltage regulator

- 1 = input
- 2 = output
- 3 = ground

Sw1 = spst

Sw2 = 5 position rotary (make before break)

Photo diode = small photo voltaic cell

LM324 = quad op-amp

Amp meter = 100 micro-amp fs

2k trim pot = meter calibration

Resistors 1/4 watt as marked

Notes:

Sw2 positions

- 1 = 10 lux
- 2 = 100 lux
- 3 = 1000 lux
- 4 = 10,000 lux
- 5 = 100,000 lux

Start on high range

Calibrate meter with a known light source or meter

laj