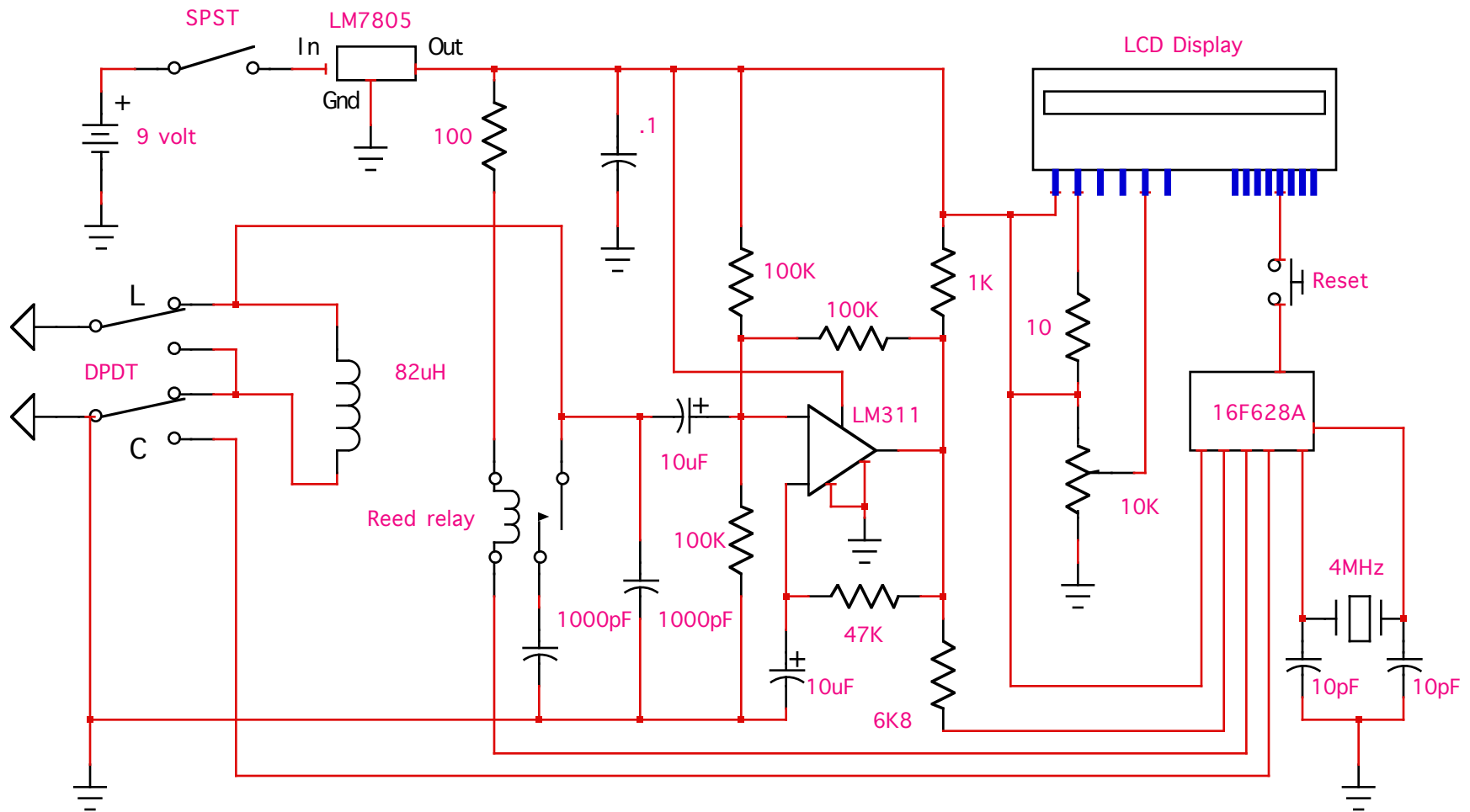


L/C Meter



Notes: This circuit is drawn here as a representation only. It requires a PIC16F628A integrated circuit and the code numbers to program it. My project was built from a kit provided by DIY Electronics, on the web at www.electronics-diy.com

The meter works great for measuring small capacitance values from .1pF to 999nF, and inductance from 10nH to 1000uH.