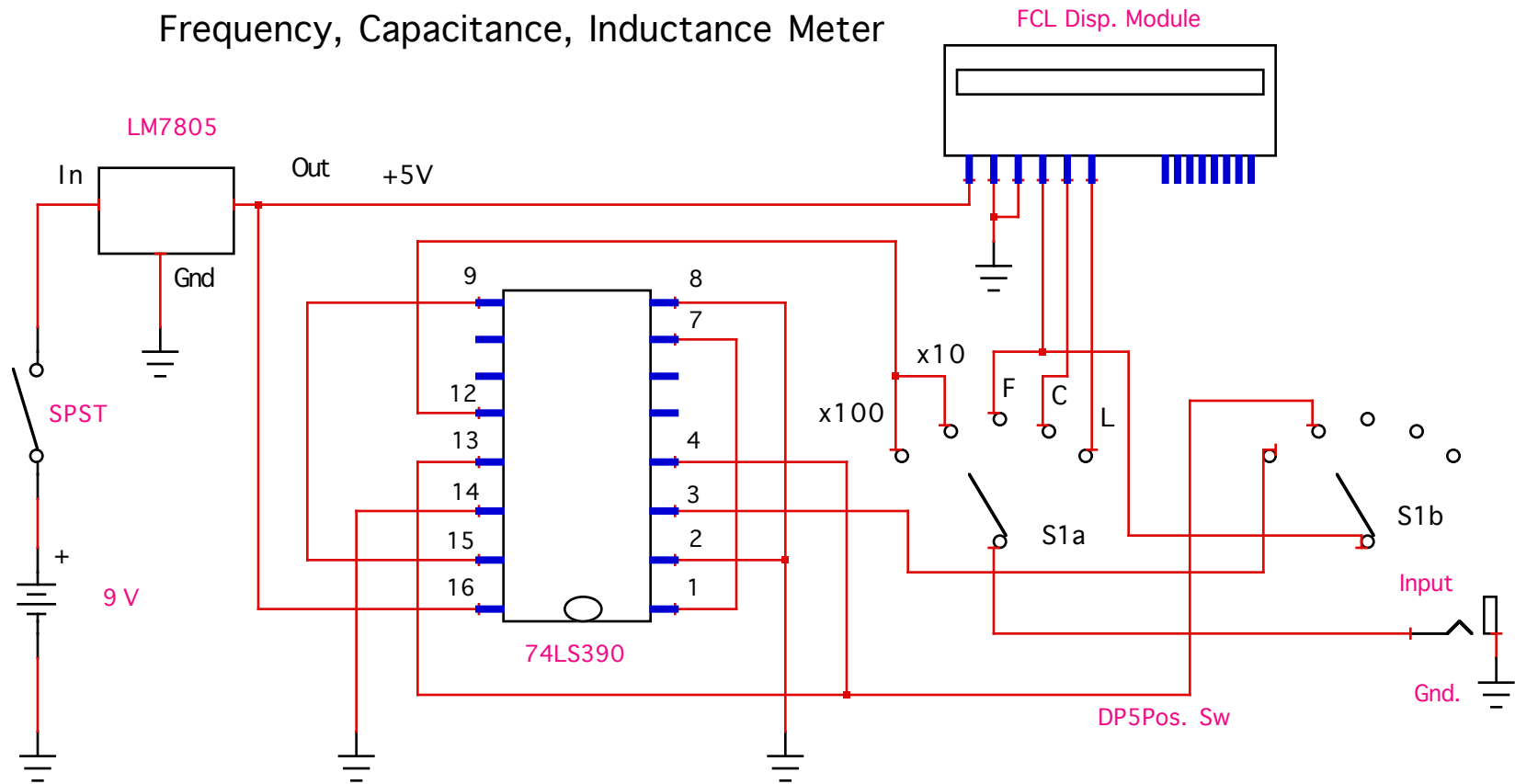


Frequency, Capacitance, Inductance Meter



The FLC display module is a stand alone unit which will measure frequency only up to 500kHz, due to a manufacturing defect. The 74SL390 decade counter is connected for frequency division of 10 and 100, providing a theoretical reading of up to 5mHz or 50mHz. S1a and S1b are connected to provide for C and L readings as well as the three readings for frequency. The range for C is 10pF to 10uF and for L is from 10 uH to 20 H.