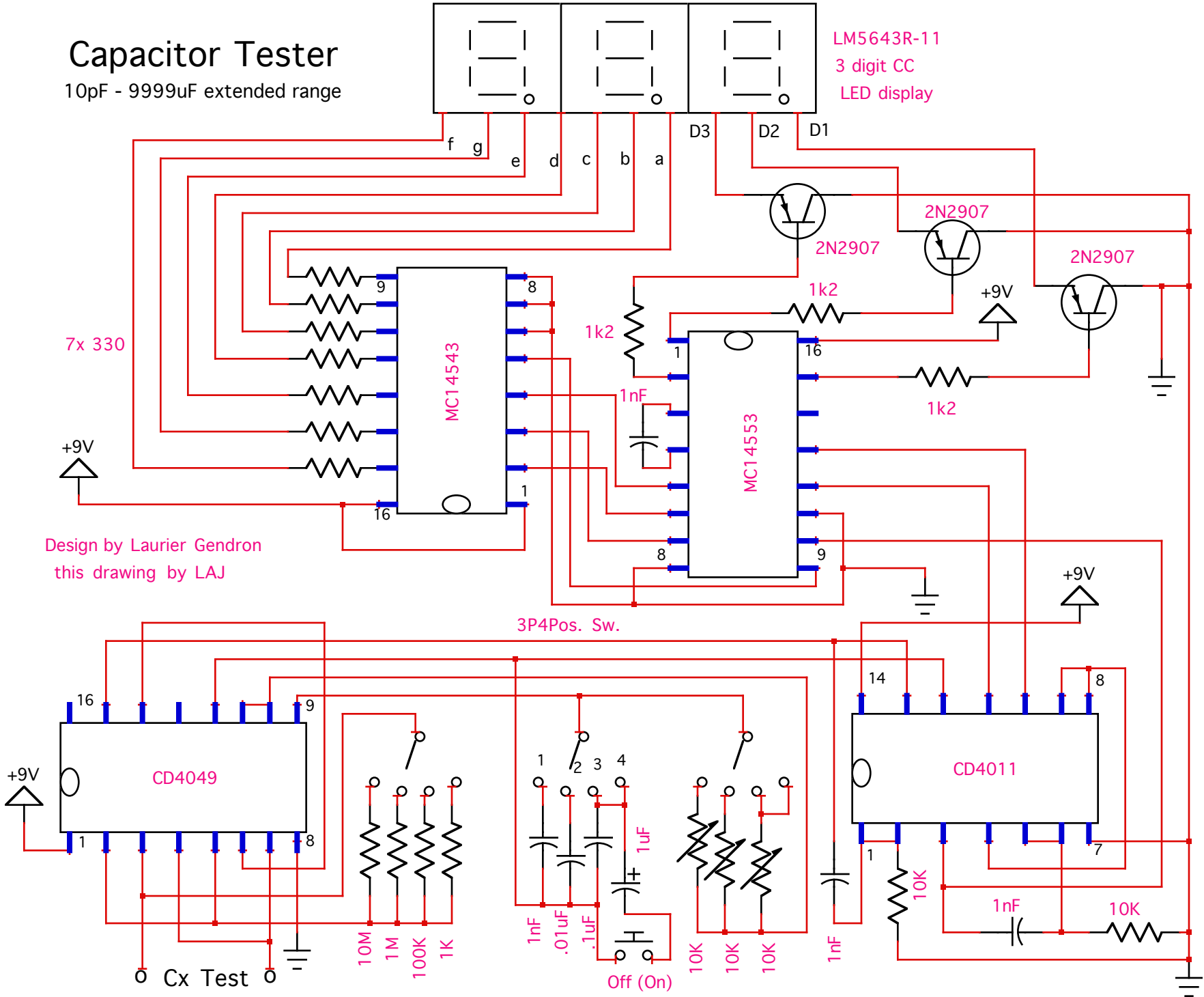


Capacitor Tester

10pF - 9999uF extended range

LM5643R-11
3 digit CC
LED display



Design by Laurier Gendron
this drawing by LAJ

3P4Pos. Sw.

Cx Test