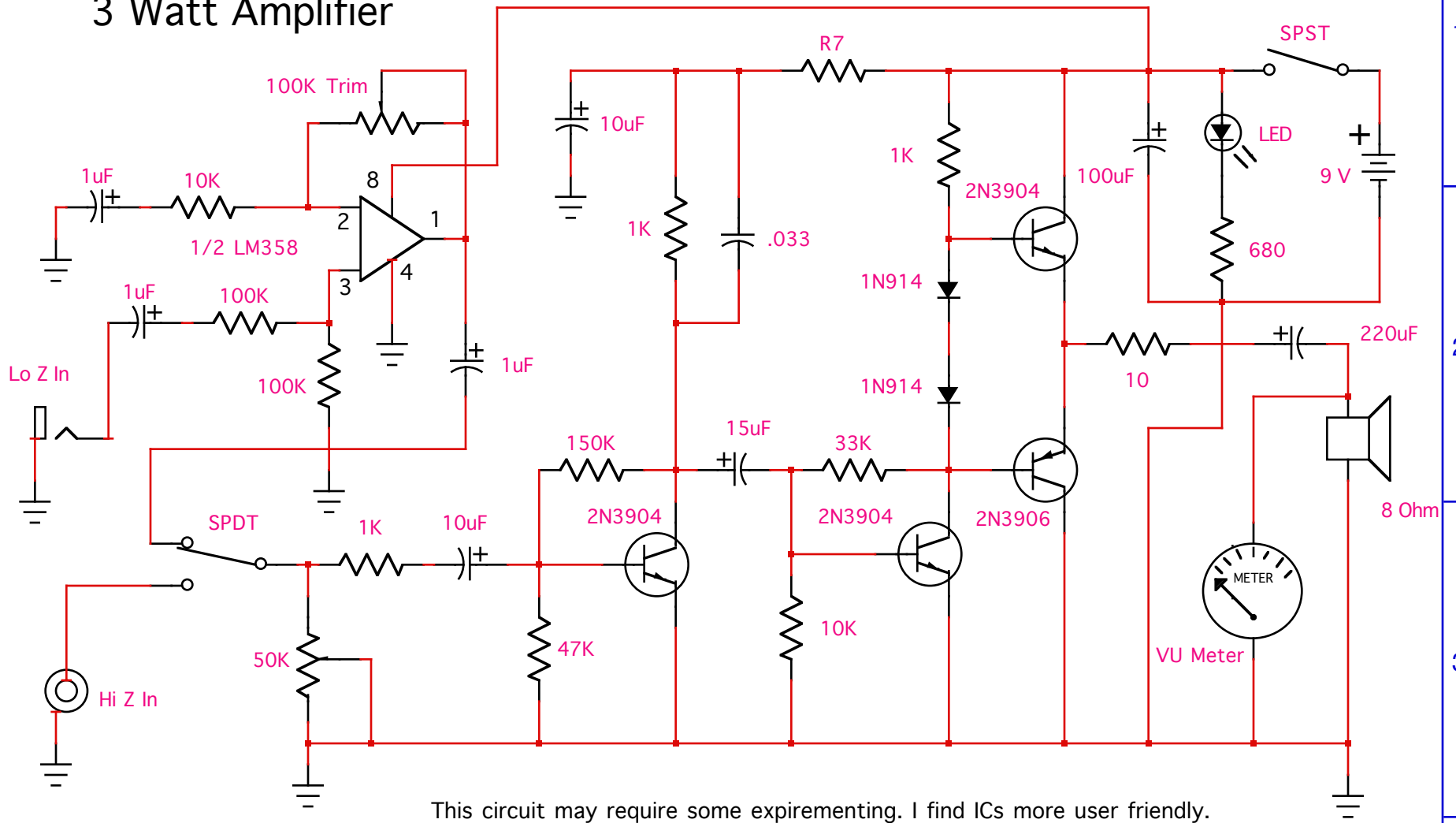


3 Watt Amplifier



This circuit may require some expirementing. I find ICs more user friendly.

Iaj